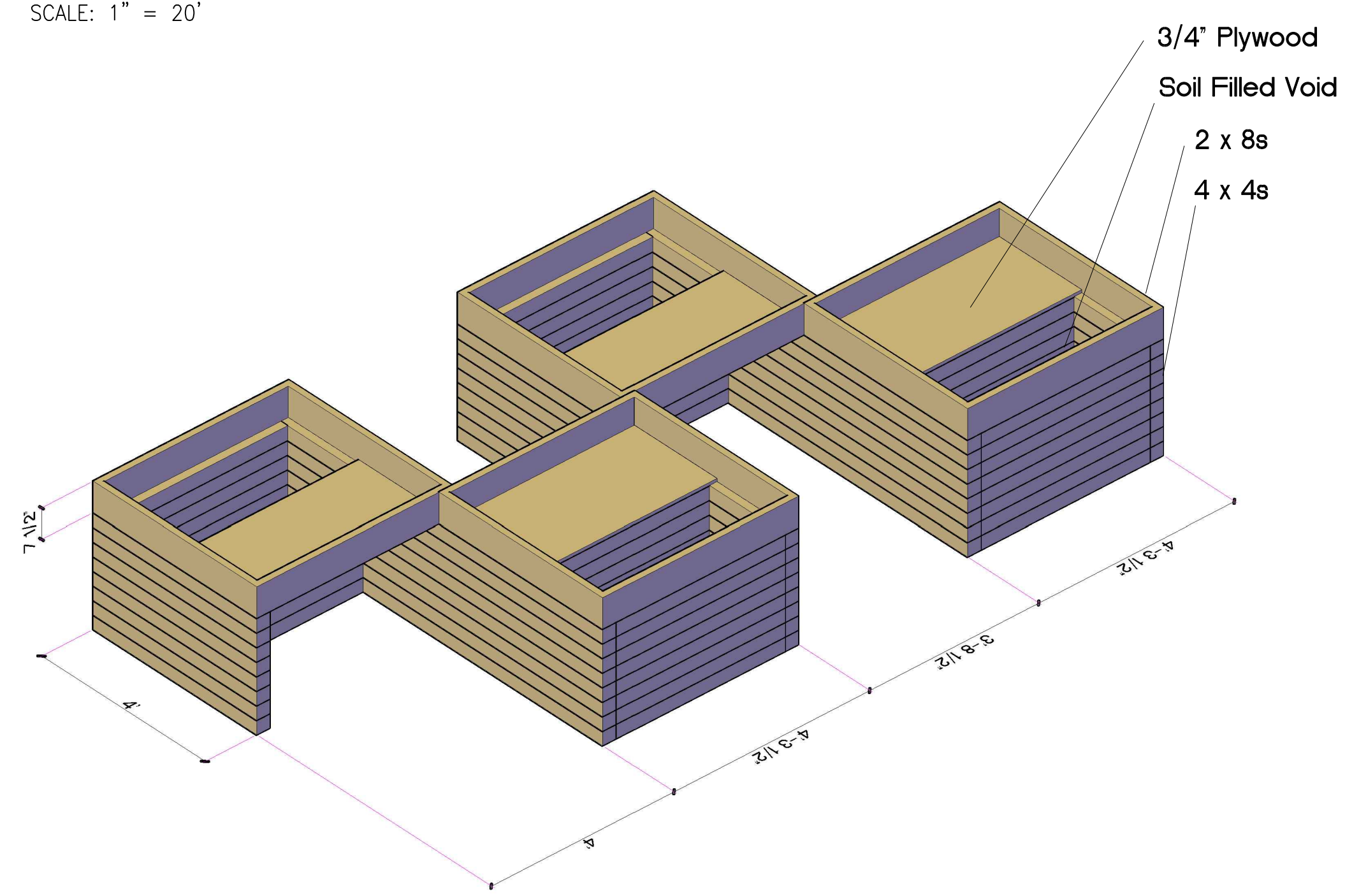
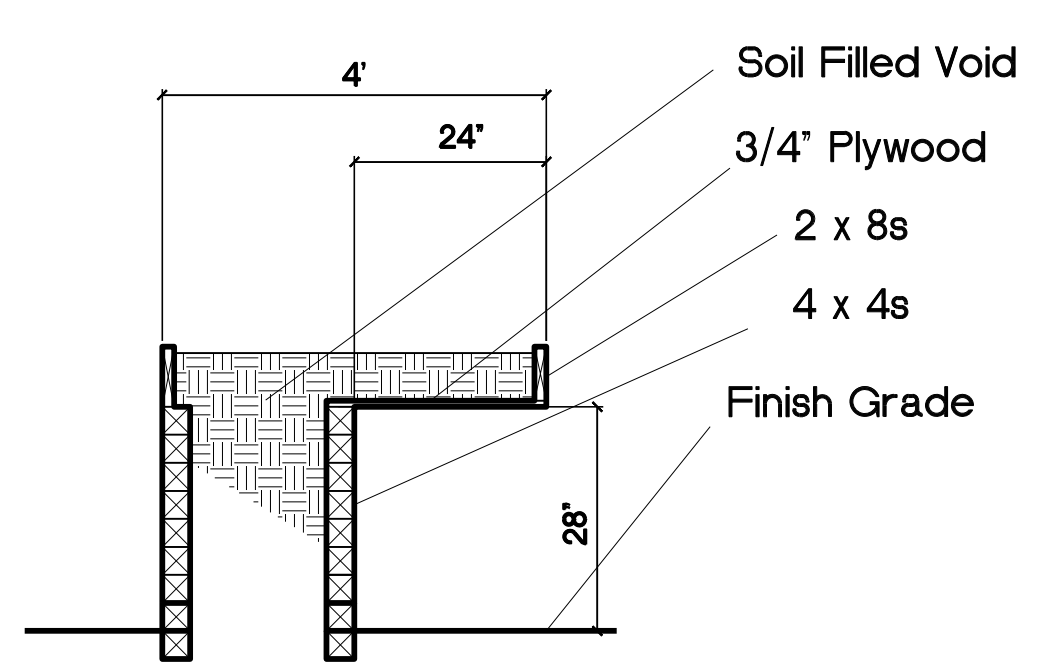


PERTINENT DATA:
PHASE I
 Fenced Area - 29,097 s.f.
 4'x12' Plots - 141
 4'x4' ADA TABLES - 9
 9'x9' Mini Shelters w/ Tables - 3
 28'x28' Demonstration Area
 42'x60' Storage Area

FUTURE DEVELOPMENT
 Fenced Area - 16,671 s.f.
 4'x12' Plots - 108
 9'x9' Mini Shelters w/ Tables - 2



ADA Accessible Planters - Isometric

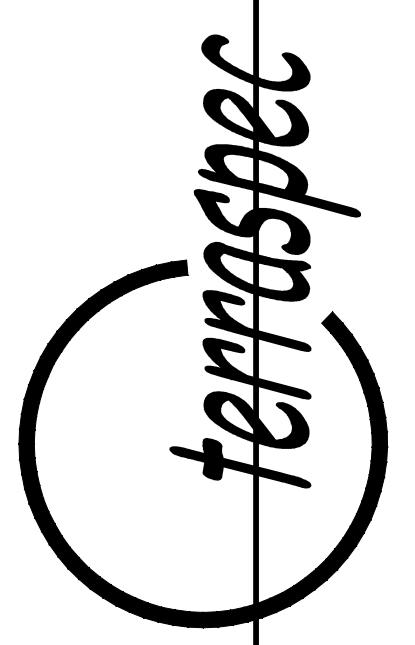


ADA Accessible Planter Section



ADA Accessible Mini Shelter w/ Table

LAND PLANNING
 RECREATION PLANNING AND DESIGN
 LANDSCAPE ARCHITECTURE
 5030 GRIFFIN ROAD
 ST. LOUIS, MO 63128
 (314) 984-8211 FAX(314) 843-1718



**City Hall
 Community Gardens**
 WILDWOOD, MISSOURI

OWNER
 City of
 Wildwood
 16860 Main St.
 Wildwood, MO
 636.458.0440

SHEET TITLE

Concept Plan
 'A'

JOB NUMBER

18029

DATE DRAWN BY
 12/20/18 KJK

REVISION
 02/01/19 rev per City
 02/13/19 rev per City

SHEET NUMBER

L1